

Location: Install SA series strainers in a location that allows for filter basket service. Use brackets on the valve body and on the end caps to mount to a sturdy bulkhead or stringer.

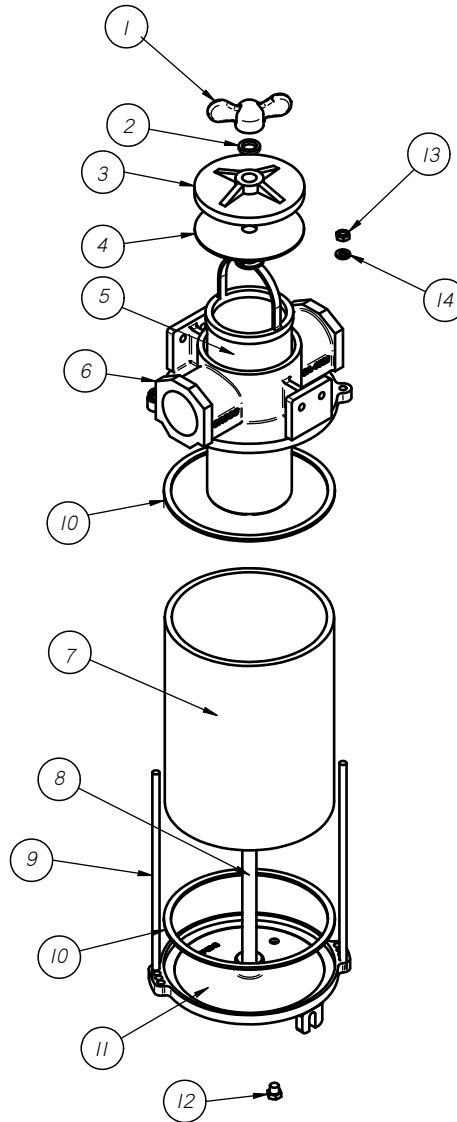
Plumbing: Observe Inlet and Outlet markings on the strainer head. Ports are threaded for NPT connections. Use threaded pipe or bronze Pipe/Hose adaptors such as GROCO PTH, PTHC, PTHD, FF or FFC series for hose connections.

Bonding: Connect the strainer to the vessel bonding system with 14 AWG or larger stranded copper wire. Use a ring connector to fasten beneath any of the outside tie rod nuts. DO NOT make the strainer bonding connection in series with motorized equipment. Motorized equipment must have a separate ground, per ABYC, E-11, Figure-18.

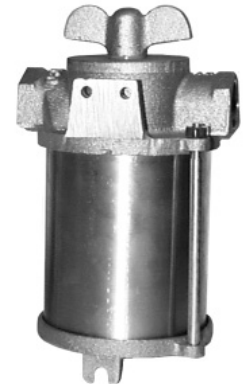
Maintenance: Spin off the wingnut to service the basket. (DO NOT LOOSEN OUTSIDE TIE ROD NUTS). Remove cover casting for basket removal and inspection. Tighten the wingnut securely after reassembly.

Winterization: Remove drain plug and disconnect inlet and outlet hoses to drain the filter chamber.

Parts and Assembly



SA Series has a
Lucite Sight Glass



ASA Series has a
#316 Stainless Steel
Enclosure

For finer filtration various mesh options are offered. GROCO's standard fine mesh option is 60-mesh. To order, specify 60 after the basket number (ie: BM-1860). Other mesh options are available. Call 410 604-3800 for details.

Included in Service Kit

Item	Kit	Description	Qty	SA-500	SA-750	SA-1000	SA-1250	SA-1500	SA-2000	SA-2500	SA-3000
1		Wingnut	1	SVS-5	SVS-5	S-75	S-75	S-75	S-75	S-75	S-75
2	*	Washer	1	500-K	500-K	500-K	500-K	504-F	504-F	504-F	504-F
3		Cover	1	S-64	S-64	S-751	S-751	S-86	S-86	S-86	S-86
4	*	Gasket	1	S-64-A	S-64-A	S-751-A	S-751-A	S-86-A	S-86-A	S-86-A	S-86-A
5		Basket, poly	1	BP-1	BP-2	BP-4	BP-5	BP-6	BP-8	BP-11	BP-19
		Basket, #304 SS	1	BS-1	BS-2	BS-4	BS-5	BS-6	BS-8	BS-11	BS-19
		Basket, Monel	1	BM-1	BM-2	BM-4	BM-5	BM-6	BM-8	BM-11	BM-19
6		Head Casting	1	S-500-A	S-750-A	S-1000-A	S-1250-A	S-1500-A	S-2000-A	S-2500-A	S-3000-A
7		Sight Glass, clear	1	S-70	S-70-A	S-77	S-77-A	S-88	S-88-A	S-88-B	S-88-C
		Enclosure, #316 SS	1	AS-70	AS-70-A	AS-77	AS-77-A	AS-88	AS-88-A	AS-88-B	AS-88-C
8		Tie Rod, center	1	S-65	S-65-A	S-72	S-72-A	S-84	S-84-A	S-84-C	S-84-D
9		Tie Rod, outside	2	S-66	S-73-X	S-73-X	S-73-B	S-73-B	S-87-A	S-87-B	S-87-C
10	*	Gasket	2	#9R Set	#9R Set	#8R Set	#8R Set	#10R Set	#10R Set	#10R Set	#10R Set
11		End Cap	1	S-63-A	S-63-A	S-73-A	S-73-A	S-82-A	S-82-A	S-82-A	S-82-A
12		Drain Plug	1	1827HB	1827HB	1827HB	1827HB	1827HB	1827HB	1827HB	1827HB
13		Hex Nut	2	1420HS	1420HS	1420HS	1420HS	1420HS	1420HS	1420HS	1420HS
14		Washer	2	14SS	14SS	14SS	14SS	14SS	14SS	14SS	14SS
	*	Service Kit		SA-1	SA-1	SA-2	SA-2	SA-3	SA-3	SA-3	SA-3

© 1999 GROCO MECHANICAL LABORATORIES, INC. ALL RIGHTS RESERVED.