

Model HE Toilet

Installation, Operation, and Maintenance

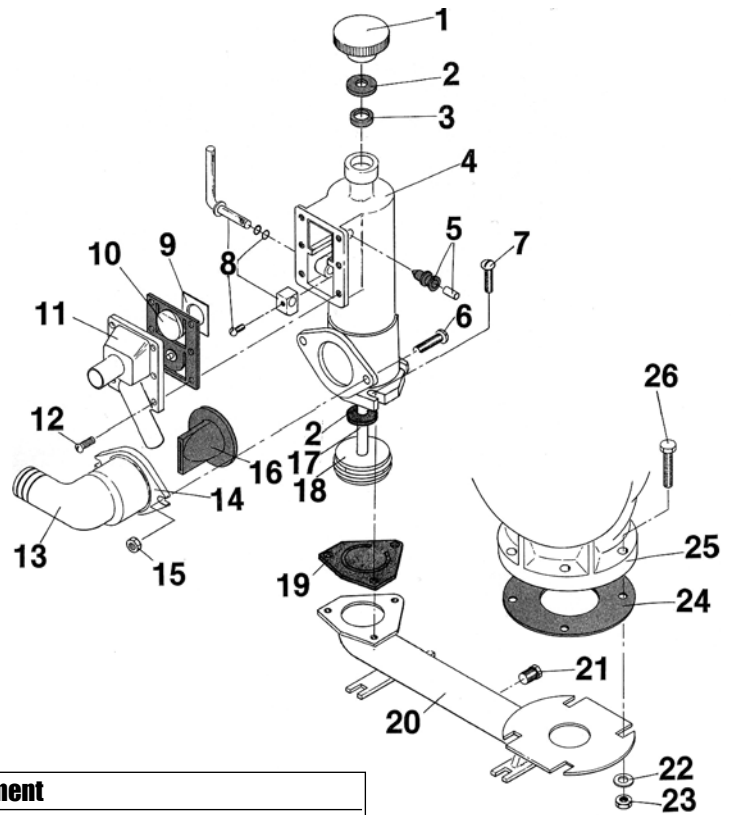
TYPE PUMP: Piston

PRODUCTION: 1981 - 1985

TYPE OPERATION: Hand only

Service Notes:

- Model HE was replaced with HF in 1985.
- HF has improved valving, improved vacuum breaker, improved dry bowl flushing, and improved piston assembly.
- HE models can be upgraded to HF with the installation of HF Upgrade, or by installing HF Pump Assembly.
- HF Pump Assembly will bolt onto your HE base.



Item	Part Number	Description	Qty	Comment	
	1	2-236	Pump Handle	1	NLA. Replaced by HT-1085
	2	HC-12	Washer	2	
•	3	HA-15	Seal	1	NLA. Replaced by 037-075-8
	4	HE-C	Pump Housing	1	
	5	HT-49-A	Vacuum Breaker	1	NLA - No Replacement
	6	1420X114RS	Screw	2	
	7	1420X34RS	Screw	3	
	8	HC-20	Cam Assembly	1	
•	9	HC-5	Check Plate	1	
•	10	HC-1	Gasket	1	
	11	HC-2	Valve Cover	1	NLA. Replaced by HC-2-A
	12	1032X58HS	Screw	6	NLA. Replaced by 1024X58HS
	13	HA-1	Discharge	1	HA-13 straight discharge is available
	14	HA-11	Bracket	1	
	15	1420HS	Hex Nut	2	
•	16	H-27-A	Joker Valve	1	
	17	HC-21	Shaft	1	NLA. Replaced by HF-21
••	18	HC-10	Piston Assembly	1	
•	19	HE-8	Gasket	1	
	20	HE-22-P	Base, plastic	1	NLA. Replaced by HF-22-P
		HE-22-B	Base, bronze	1	NLA. Replaced by HF-22-B
	21	1827HB	Drain Plug	1	
	22	16S	Washer	4	
	23	1420HS	Hex Nut	4	
	24	H-6	Gasket	1	
	25	4967	Bowl	1	
	26	1420X112HS	Bolt	4	
NS	TC-50	Seat & Cover	1		
NS	HC-23	Hose	1		
•	HE Regular	Service Kit			
••	HE Master	Service Kit			

© 1989 GROCO MECHANICAL LABORATORIES, INC. ALL RIGHTS RESERVED.