

Model EB/K Conversion Kit for EB and K Toilets

Installation, Operation, and Maintenance

THE CONCEPT: EB/K Conversion Kit converts EB or K model hand operated toilets to electric operation. Guests need not understand the workings of a marine toilet, as flushing is simplified to pressing a button.

INSTALLATION ON EB MODEL TOILETS:

If your EB has operating arm HT-3560-B (identified by the part number on the casting and the gradual curve), install EB/K conversion as shown in Figure-3. Note that connecting rod RG-3049-A is between arm HT-3560-B and 58X12 bushing.

If the operating arm is HT-3560-E (identified by the part number on the casting and the 90-degree bend), install EB/K Conversion as shown in Figure-2. Note that 58X12 bushing is between HT-3560-B arm and connecting rod RG-3049-A.

EB toilets have a mount pad on the right side of the pump body (facing toilet). Use the 3/8 bronze bolt and 3/8" lockwasher to fasten the gearbox to the mount pad.

If you ever replace the bowl (4985 is the only available bowl), because of the lower profile of 4985, your EB toilet must be fitted with HT-3560-E operating arm. replace HT-3560-B with HT-3560-E if necessary.

INSTALLATION ON K MODEL TOILETS

Refer to Figure-2

ELECTRICAL: Adequate wire size is essential for the proper operation. Refer to the wire size selection chart included with this product.

Mount the momentary switch in a 5/8" hole and use ring terminals to wire in accordance with the schematic shown below.

Over-current protection must be provided. Installing a dedicated circuit breaker of the proper capacity.

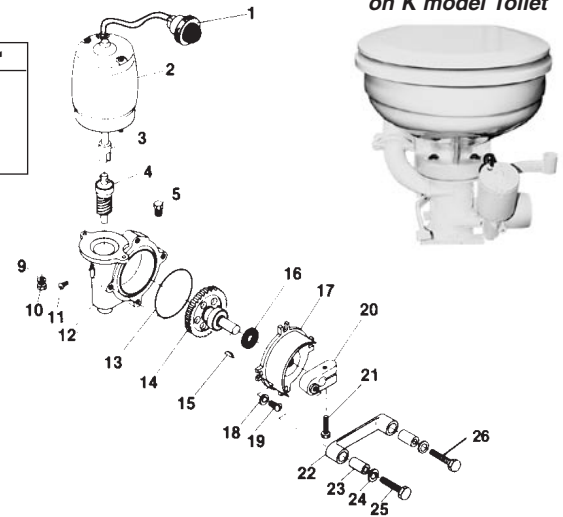
BEFORE APPLYING POWER: Add 1/2 oz. of gear oil (supplied) through the hex plug with the red tag attached. Do not add more oil. Leakage will occur.

OPERATION: Depressing the momentary switch will actuate the operating arm. To allow water to enter the toilet step on the foot pedal at the left side of the toilet while the momentary switch is depressed.

DRY-BOWL FLUSHING: To pump the bowl dry, depress the momentary switch but do not step on the foot pedal.

NOTE: Pump at least six pump strokes more than necessary to clear the bowl. This assures that the waste has been moved completely out of the toilet and discharge arm.

EB/K Conversion Installed on K model Toilet



Voltage	Amps	Breaker
12V	12-18	25
24V	5-7	15
32V	3-5	10

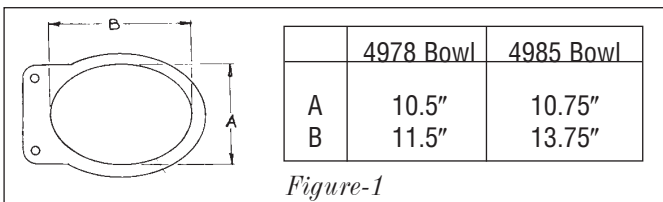


Figure-1

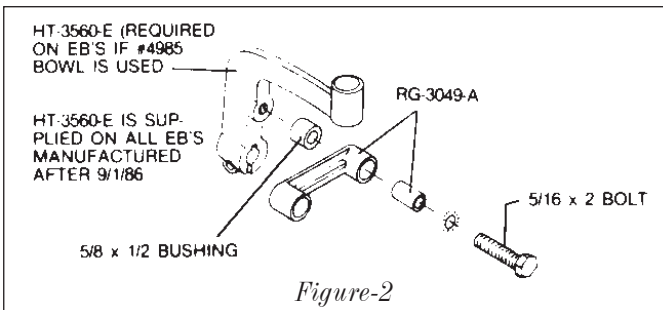


Figure-2

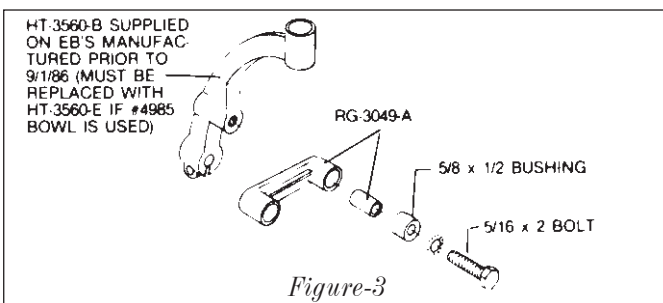
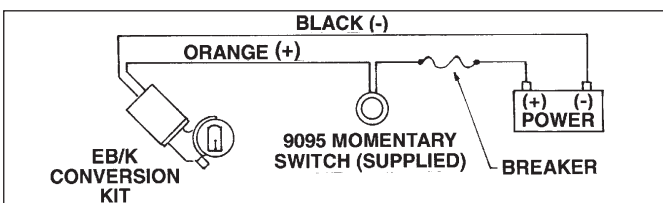


Figure-3



Item	Part Number	Description	Qty
1	9095	Momentary Switch	1
2, 3	(Voltage)-C	Motor	1
4	RG-3038	Worm Assembly	1
5	1827HB	Hex Plug	1
9	10ETB	Lockwasher	2
10	1032X58HS	Bolt	2
11	1024X1RB	Screw	1
12	RG-3041	Gearbox Housing	1
13	2-232	O-Ring	1
14, 15	RG-3037	Gear Assembly	1
16	RG-3037-A	Seal	1
17	RG-3042-A	Gearbox Cover	1
18	14ETB	Lockwasher	4
19	1420X12HB	Bolt	4
20, 21	RG-3048	Eccentric	1
22-25	RG-3049-A	Connecting Rod Assembly	1
22	RG-3049-R	Connecting Rod only	1
23	RG-3049-B	Bearings set (2)	1
24	516ETB	Lockwasher	2
25	51618X112HB	Bolt	1
26	51618X2HB	Bolt	1
NS	600-W	Gearbox Oil	1
NS	58X12	Bushing	1