

# PSRW Paragon Senior Deck Wash System

## Installation, Operation, and Maintenance

**Installation:** The motor and circuitry are not waterproof. Install PSRW in a dry, well ventilated location not more than 10-feet above the water supply. If PSRW will have a flooded inlet, the pump may be oriented in any position; if the pump must self-prime, orientation must be upright.

Mount PSRW to a sturdy platform using the four mount feet included. Operation will be quieter if mounted on a solid surface.

**Inlet Strainer:** The inlet must be protected by a suitable raw water strainer, such as GROCO ARG-755-P. We do not recommend the use of GROCO WSB series strainers for raw water applications.

**Plumbing:** The pump inlet and outlet ports are threaded 3/4" NPT. The port nearest the motor is the inlet. Use full flow fittings such as GROCO FF-750 (straight) or FFC-750 (90-degree) to provide maximum pump performance. Use heavily reinforced 1" ID hose for connections to and from PSRW with no sharp bends or sags in the plumbing runs. Double-clamp all hose connections. Plumbing size may be reduced after the pump, but we suggest that 1" ID hose be run all the way to the outlet point.

**Caution:** PSRW does not have an automatic pressure cut-off, so the pump will run as long as power is applied. DO NOT use an automatic nozzle that closes when released, as this may result in burst plumbing, and could sink your boat. We recommend that a momentary foot switch be used to turn the pump on and off, and that the outlet be open or fitted with a screw-type nozzle that does not shut off automatically.

**Electrical:** PSRW must be controlled by an owner-supplied switch. Refer to the schematic drawing attached and wire the switch to the terminal block on the motor end cap using marine grade ring terminals and marine grade stranded copper wire of at least 16 gauge. There is no polarity for this connection.

Make DC + to the solenoid terminal marked DC+, and DC- power connection to the bronze stud below and to the left of the solenoid on the motor end cap. Wire sizes must be in compliance with the Wire Size Selection Chart enclosed. Use ring terminals for all electrical connections.

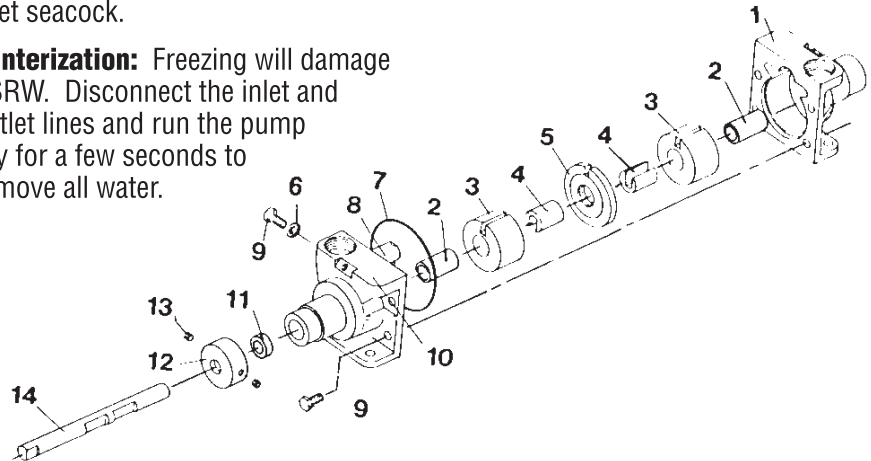
**Operation:** PSRW will operate as long as power is applied. There is no dry-run protection. If the pump does not prime within 10-15 seconds, release the switch and prime the pump. If priming is difficult, an in-line check valve (GROCO P-9021) may be used at the inlet seacock.

**Winterization:** Freezing will damage PSRW. Disconnect the inlet and outlet lines and run the pump dry for a few seconds to remove all water.



**Maintenance:**

Do not lubricate the internal parts of the pump. P-9000 pump is sealed by two (2) lip seals located beneath a screw-on brass cap (P9020) where the shaft exits the pump housing. By GENTLY removing the outer-most seal, you may pack silicon-based or Teflont based grease between the seals. Screw P09020 cap back securely.



Master	Regular	Item	Description	Qty	Part No.
		1-14	Pump Assbly	1	P-9000
		1, 10	Pump Housing	1	P-9001/9002 set
		2	Bearing Set	2	P-9009 set
•		3	Impeller Set	2	P-9014 set
		4	Eccentric Set	2	P-9004 set
		5	Separator	1	P-9006
	•	6	Seal	2	P-9005 before 1/85
	•				2-010 after 1/85
	•	7	O-Ring	1	2-041 before 12/85
	•				2-042 after 12/85
		8	Impeller Guide	1	P-9007
		9	Bolt	4	1428X12HS
	•	11	Shaft seal	1	P-9015
		12	End Cap	1	P-9020
		13	Set Screw	2	1032X316SSS
		14, 4	Shaft/Eccentrics Set	1	P-9003/4 assy
		NS	Lockwasher	4	14SS
		NS	Motor	1	(Voltage)-J
		NS	Control	1	P-6001-F (Voltage)
			Regular Service Kit		P-9000 Regular
			Master Service Kit		P-9000 Master