

FA Series Toilets

Parts, Operation, and Maintenance

TYPE PUMP: Diaphragm

TYPE OPERATION: Hand or Electric

MANUFACTURED: 1955 - 1957

Operation: Flush water is pumped into and out of the model FA toilet by actuating the operating arm at the right side of the toilet. This may be done manually by pumping the handle back and forth, or electrically by depressing the momentary switch. The flow of water into the bowl is controlled by stepping on or off the footpedal on the left side of the toilet.

Winterization: Freezing water will damage the toilet. Winterize the unit by draining all water from the toilet base by removing the two drain plugs on the front of the base. Loosen the connecting plumbing to drain water from hose or pipe connections to and from the toilet.

Maintenance Checks:

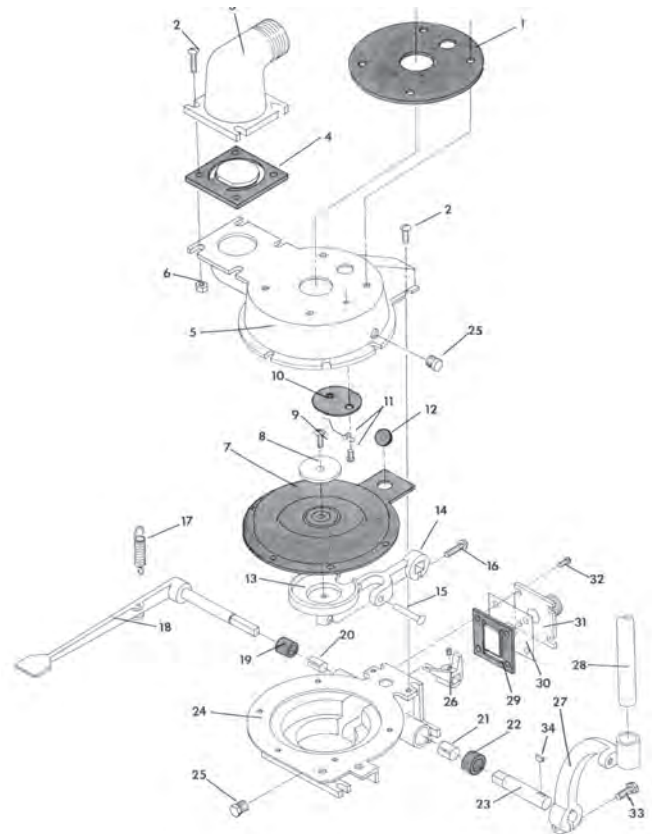
- When released, footpedal HT-3570 should “spring” up off the floor. This action automatically closes the inlet gasket. Replace S-72587 if necessary.
- Looking into the bowl, flap HT-26-A should sit tight against the underside of the base casting. Replace HT-84-A and HT-26-A if necessary.

- There should be no noticeable play in the movement of arm HT-3560-A. If there is play it is probably due to wear in the keyways of the pump shaft. We recommend replacement of HT-6566-FA every five (5) years, or when excessive play is detected.
- When the footpedal is released and it springs up, the flow of water from the rim of the bowl should cease (except for the small amount of water still inside the rim). If water continues to flow into the bowl, replace HT-3557 and HT-3557-A gaskets. When replacing HT-3557 the gasket hinge is to be at the top and the bronze weight facing the toilet. Verify that cam HT-3578-Square strikes the bronze weight when the footpedal is up, but allows the gasket to swing open when the footpedal is depressed.

| | Item | Part Number | Description | Qty |
|----|------|----------------|-----------------|-----|
| • | 1 | HT-52-A | Gasket | 1 |
| | 2 | 14X34RB | Screw | 11 |
| | 3 | HT-2369 | Discharge | 1 |
| • | 4 | HT-3562 | Gasket | 1 |
| | 5 | HT-3576 | Top Casting | 1 |
| | 6 | 1420HB | Hex Nut | 4 |
| • | 7 | HT-3579 | Diaphragm | 1 |
| | 8 | HT-3569 | Washer | 1 |
| | 9 | 1420X1RB | Screw | 1 |
| • | 10 | HT-26 | Gasket | 1 |
| • | 11 | HT-84-A | Spring Assembly | 1 |
| • | 12 | HT-56 | Check Ball | 1 |
| | 13 | HT-3581 | Boss | 1 |
| | 14 | HT-3580-Square | Crank | 1 |
| | 15 | Rivet-1 | Rivet | 1 |
| | 16 | 1420X1FB | Screw | 1 |
| | 17 | S-72587 | Spring | 1 |
| | 18 | HT-3570 | Footpedal | 1 |
| • | 19 | HT-3564 | Seal | 1 |
| • | 20 | HT-3563-1 | Bearing | 1 |
| • | 21 | HT-3563-2 | Bearing | 1 |
| • | 22 | WS-2422 | Seal | 1 |
| | 23 | HT-6566-FA | Shaft | 1 |
| | 24 | HT-3577 | Casting | 1 |
| | 25 | 1827HB | Drain Plug | 2 |
| | 26 | HT-3578-Square | Cam | 1 |
| | 27 | HT-3560-A | Arm | 1 |
| | 28 | HT-3560-C | Handle | 1 |
| • | 29 | HT-3557 | Gasket | 1 |
| • | 30 | HT-3557-A | Gasket | 1 |
| | 31 | HT-3556 | Casting | 1 |
| | 32 | 1024X12RB | Screw | 4 |
| | 33 | 51618X114HB | Bolt | 1 |
| | 34 | #8 Key | Woodruff Key | 1 |
| NS | | 4978 | Bowl | 1 |
| NS | | TT-50 | Seat & Cover | 1 |
| • | | FA Master | Service Kit | |

Notes:

- 4978 bowl is NLA, replacement must be 4985. When bowl is replaced, 500-D Seat & Cover must be ordered.
- TT-50 Seat & Cover is NLA.



© 1999 GROCO MECHANICAL LABORATORIES, INC. ALL RIGHTS RESERVED.